

Model 0013 Cartridge Circulator

The 0013 is specifically designed for high head geothermal pump and larger radiant applications. Combined with Taco's unmatched reliability, the 0013 features • Unique replaceable cartridge design that's field serviceable • Maintenance free water lubricated • Quiet, efficient operation • High velocity output • Compact design • Direct drive for low power consumption



WATER CIRCULATION, ZONING, AIR ELIMINATION, RADIANT HEAT, FLOW MEASUREMENT/BALANCING, CONTROLS

Do it once.
Do it right. 

Submittal Data Information

"00" Series Cartridge Circulators
 Model 0013
 Form No. 101-064
 Effective April 1, 1998
 Supersedes: New

Application

The Taco 0013 high velocity/high head circulator is designed for closed loop hydronic systems and open loop fresh water systems. Its flow characteristics make it ideal for hot water recirculation, heat recovery units, water source heat pumps, and potable water systems. Available in bronze or cast iron construction, the 0013 incorporates a unique replaceable cartridge that contains all the moving parts, allowing the circulator to be field serviced, instead of replacing the entire unit. The Taco ACB anti-condensate baffle with ambient air flow prevents the buildup of condensate on the motor windings when pumping chilled water. Because universal flange to flange length and orientation are featured, the 0013 can easily replace other models.

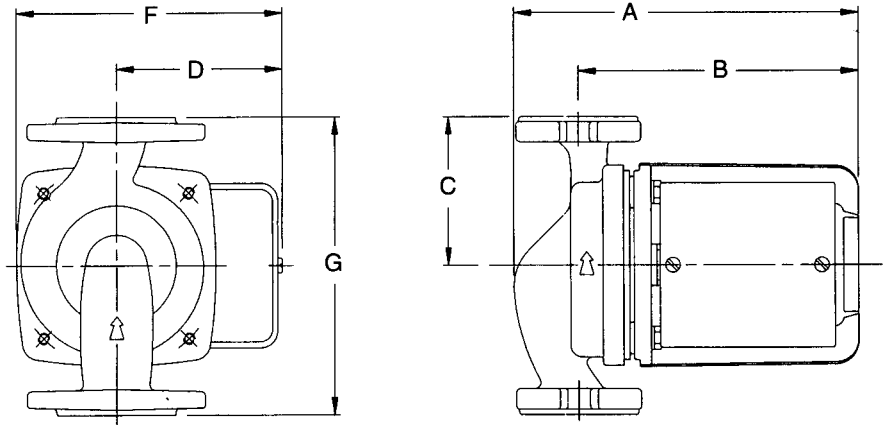
Specifications

ACB Baffle Non-Ferrous
Casing Cast iron or bronze
(Use bronze for open loop applications)
Impeller Non-metallic
Bearings Carbon
Connections Flanged 3/4", 1",
 1 1/4", 1 1/2"
Pressure Rating 125 psi Max.
Temperature Rating 230°F Max.
HP 1/4 HP @ 3250 RPM
Motor Type Permanent split
 Capacitor
Electrical Char. 115/60/1
 2.0 Amp Rating
 Impedance Protected

UL & CSA Listed

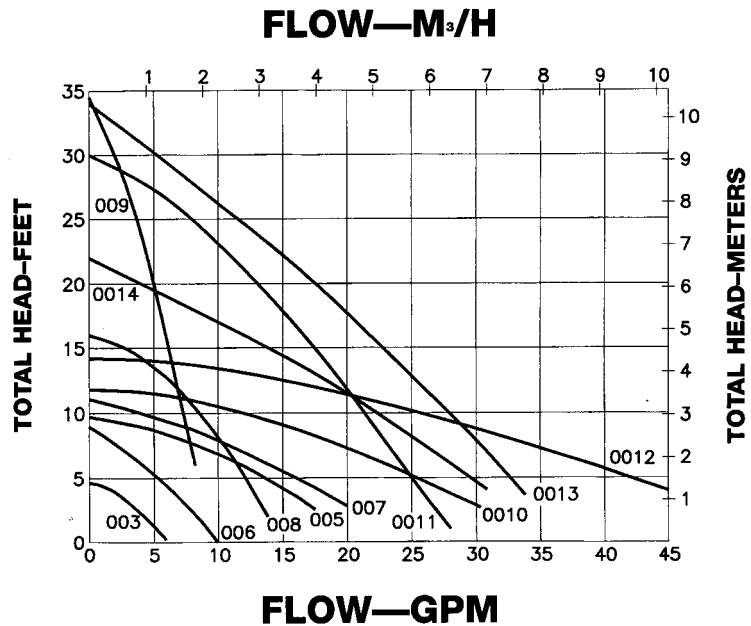
Printed in USA © Copyright 1998 Taco Incorporated

Pump Dimensions



A		B		C		D		F		G		SHIP. WGT.	
IN.	MM	IN.	MM	IN.	MM	IN.	MM	IN.	MM	IN.	MM	LBS.	KG
7 3/4	197	6 3/8	162	3 1/4	82	3 3/4	95	6	152	6 1/2	165	12.0	5.5

Performance Field



Taco Incorporated
 1160 Cranston Street
 Cranston, RI 02920
 (401) 942-8000
 Fax (401) 942-2360
 Taco (Canada) Ltd.
 6180 Ordan Drive
 Mississauga, Ontario L5T 2B3
 (905) 564-9422
 Fax (905) 564-9436
 Internet: taco-hvac.com

