

### Model 0014 High Velocity Circulator

The 0014 fills the performance gap between the 0011 and 0012, providing quiet, efficient high velocity performance in a compact design. The 0014 features • Unique replaceable cartridge design that's field serviceable • Maintenance free, no mechanical seals • Direct drive for low power consumption • Universal flange to flange dimensions in cast iron or bronze construction



WATER CIRCULATION, ZONING, AIR ELIMINATION, RADIANT HEAT, FLOW MEASUREMENT/BALANCING, CONTROLS

Do it once.  
Do it right. 

## Submittal Data Information

"00" Series Cartridge Circulators  
 Model 0014  
 Form No. 101-065  
 Effective March 1, 1998  
 Supersedes: New

## Application

The Taco 0014 mid velocity/mid flow circulator is designed for closed loop hydronic systems and open loop fresh water systems. Available in cast iron or bronze construction, the 0014 features the exclusive "00" cartridge, which contains all the moving parts. Simply replacing the cartridge virtually rebuilds the circulator! The Taco ACB motor protector features an anti-condensate baffle with ambient air flow to prevent the buildup of condensate on the motor windings when pumping chilled water. The 0014 has a medium flow, medium head characteristic for applications in large BTUH boilers, primary and secondary loops, water heaters, and heating and cooling systems. Its universal flange to flange length and orientation make it the perfect replacement for other models.

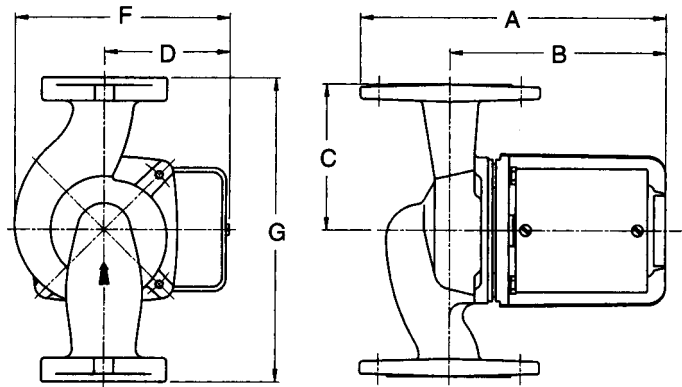
## Specifications

**ACB Baffle** ..... Non-Ferrous  
**Casing** ..... Cast iron or bronze  
*(Use bronze for open loop applications)*  
**Impeller** ..... Non-metallic  
**Bearings** ..... Carbon  
**Connections** ..... Flanged 3/4", 1",  
 1 1/4", 1 1/2"  
**Pressure Rating** ..... 125 psi Max.  
**Temperature Rating** ..... 230°F Max.  
**HP** ..... 1/8 HP @ 3250 RPM  
**Motor Type** ..... Permanent split  
 Capacitor  
**Electrical Char.** ..... 115/60/1  
 1.55 Amp Rating  
 Impedance Protected

## UL & CSA Listed

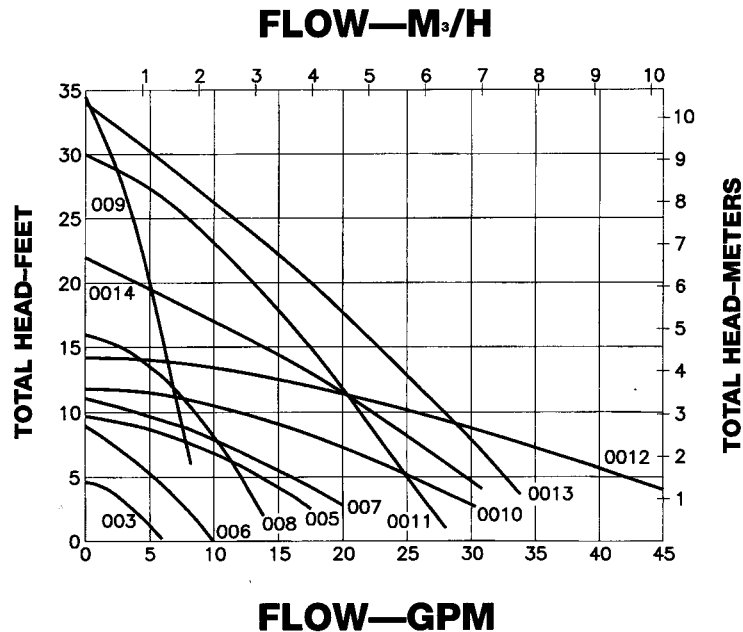
Printed in USA © Copyright 1998 Taco Incorporated

## Pump Dimensions



A		B		C		D		F		G		SHIP. WGT.	
IN.	MM	IN.	MM	IN.	MM	IN.	MM	IN.	MM	IN.	MM	LBS.	KG
7 3/4	197	6 3/8	162	3 1/4	82	3 3/4	95	6	152	6 1/2	165	12.0	5.5

## Performance Field



Taco Incorporated  
 1160 Cranston Street  
 Cranston, RI 02920  
 (401) 942-8000  
 Fax (401) 942-2360  
 Taco (Canada) Ltd.  
 6180 Ordan Drive  
 Mississauga, Ontario L5T 2B3  
 (905) 564-9422  
 Fax (905) 564-9436  
 Internet: taco-hvac.com

