

**HIGH CAPACITY –
SUITABLE FOR MOST
RESIDENTIAL SYSTEMS**



COMPARE. YOU'LL TAKE TACO.

Model 005 Cartridge Circulator



- **Standard High Capacity Output—Compact Design**
- **Unique Replaceable Cartridge Design—Field Serviceable**
- **Unmatched Reliability—Maintenance Free**
- **Quiet, Efficient Operation**
- **Direct Drive—Low Power Consumption**
- **Universal Flange to Flange Dimension**

TACO, INC.

1160 Cranston Street, Cranston, RI 02920
Telephone (401) 942-8000 Telex: 92-7627

TACO (Canada) LTD.

1310 Aimco Blvd., Mississauga, Ontario L4W 1B2
Telephone (416) 625-2160 Telex: 06-961179

"00" Series Cartridge Circulators

Submittal Data Information

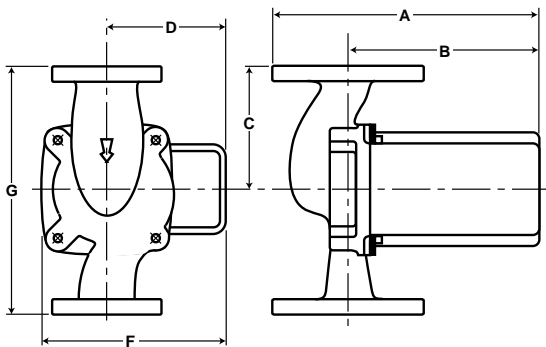


APPLICATION

The Taco 005 Residential Circulator is designed for use in hydronic heating, chilled fresh water systems, and domestic water systems. The 005 can be used in the typical Residential Hydronic Heating System, to Add a Zone Additions, Zoning with Circulators, and Potable Water Systems. The 005 is available in cast iron or bronze construction with flanged connections. The

unique replaceable cartridge contains all the moving parts, and allows the circulator to be serviced instead of replacing the entire unit. The Quieter Direct Drive cartridge type "00" Series circulator is self lubricating, contains no mechanical seal, and requires no maintenance. This compact, low power consumption design is ideal for those high efficiency jobs.

PUMP DIMENSIONS



A		B		C		D		F		G		SHIPPING WEIGHT	
IN.	MM	IN.	MM	IN.	MM	IN.	MM	IN.	MM	IN.	MM	LBS.	KG
6	152	4 ³ / ₃₂	104	3 ³ / ₁₆	81	2 ¹⁵ / ₁₆	75	4 ⁵ / ₈	118	6 ¹¹ / ₃₂	161	8	3.6

SPECIFICATIONS UL & CSA LISTED

PERFORMANCE FIELD

CASING	Cast Iron or Bronze
IMPELLER	Non-Metallic
SHAFT	Ceramic
BEARINGS	Carbon
CONNECTIONS	Flanged 3/4", 1", 1 1/4", 1 1/2"
PRESSURE RATING	125 psi Maximum
TEMPERATURE RATING*	230°F Maximum
MOTOR TYPE	Permanent Split Capacitor
HP	1/35 HP @ 3250 RPM
ELECTRICAL CHAR:	115/60/1 .53 Amp Rating Impedance Protected

*Bronze Units Max. Temp. 220°F

