



COMPARE. YOU'LL TAKE TACO.

Model 008 Cartridge Circulator



- **Unique Replaceable Cartridge Design—Field Serviceable**
- **Unmatched Reliability—Maintenance Free**
- **Quiet, Efficient Operation**
- **Standard High Capacity Output—Compact Design**
- **Direct Drive—Low Power Consumption**
- **Universal Flange to Flange Dimension**
- **Manufactured in a Variety of Sizes to Match System Requirements**
- **Residential and Light Commercial Applications**

TACO, INC.

1160 Cranston Street, Cranston, RI 02920
Telephone (401) 942-8000 Telex: 92-7627

TACO (Canada) LTD.

1310 Aimco Blvd., Mississauga, Ontario L4W 1B2
Telephone (416) 625-2160 Telex: 06-961179

"00" Series Cartridge Circulators

Submittal Data Information



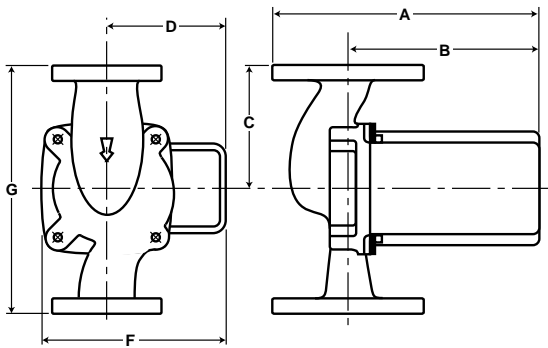
APPLICATION

The Taco 008 Residential Circulator is designed for use in hydronic heating systems and open loop fresh water applications. The cast iron 008 can be used in Higher Head hydronic heating systems, Radiant in Floor/Panel heating systems, and closed loop Solar Systems. The bronze 008 can be used in Higher Head Heat Recovery systems, Water Source Heat pumps, and

open loop Solar systems. The Unique Replaceable Cartridge contains all the moving parts, and allows the circulator to be serviced instead of replacing the entire unit. The Quieter Direct Drive cartridge type "00" Series circulator is self lubricating, contains no Mechanical Seal, and requires No Main-ten-ance. This Compact Low Power consumption design is ideal for those high efficiency jobs.

PUMP DIMENSIONS

	A		B		C		D		F		G		Shipping Weight	
	IN.	MM	IN.	MM	IN.	MM	IN.	MM	IN.	MM	IN.	MM	LBS.	KG
FLANGED	6 ⁵ / ₁₆	160	4 ⁷ / ₁₆	112	3 ³ / ₁₆	81	2 ¹⁵ / ₁₆	75	4 ¹⁰ / ₁₆	117	6 ¹ / ₃₂	161	8	3.6
SWEAT	5 ⁵ / ₈	143	4 ⁹ / ₁₆	116	3 ³ / ₁₆	81	2 ¹⁵ / ₁₆	75	3 ⁵ / ₁₆	84	6 ¹ / ₃₂	161	8	3.6



SPECIFICATIONS UL & CSA LISTED

CASING	Cast Iron or Bronze
IMPELLER	Non-Metallic
SHAFT	Ceramic
BEARINGS	Carbon
CONNECTIONS	Flanged 3/4", 1", 1 1/4", 1 1/2" Sweat 3/4"
PRESSURE RATING	125 psi Maximum
TEMPERATURE RATING*	230°F Maximum
MOTOR TYPE	Permanent Split Capacitor
HP	1/25 HP @ 3250 RPM
ELECTRICAL CHAR:	115/60/1 .75 Amp Rating Impedance Protected

*Bronze Units Max. Temp. 220°F

PERFORMANCE FIELD

