



COMPARE. YOU'LL TAKE TACO.

"00" Timer Aquastat



- Domestic Hot Water Recirculation—Circulates on Peak Demand
- 24 Hour Clock Timer—15 Minute Intervals
- Rugged Construction—Steel Timer Enclosure
- User Friendly—Function Hour & Minute Hands
- Temperature Control 95F ON & 115F OFF Aquastat
- Retro-Fittable—Fits all "00" Series

TACO, INC.

1160 Cranston Street, Cranston, RI 02920
Telephone (401) 942-8000 Telex: 92-7627

TACO (Canada) LTD.

1310 Aimco Blvd., Mississauga, Ontario L4W 1B2
Telephone (416) 625-2160 Telex: 06-961179

"00" Timer Aquastat

Submittal Data Information



APPLICATION

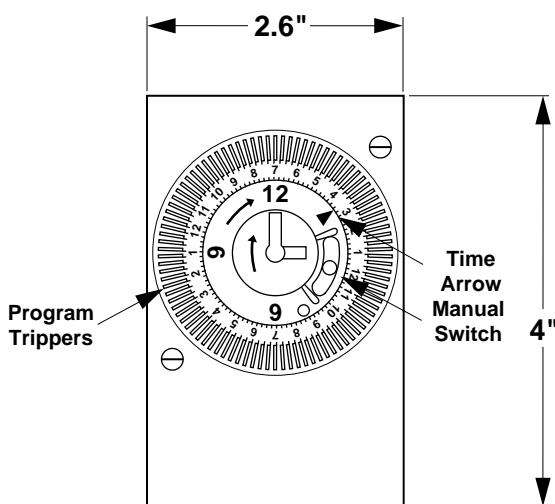
The Taco Analog 24 Hour Clock timer/Temperature Aquastat combination is designed to cycle the circulator during peak demand periods. The clock timer is adjustable to 15-minute intervals within a 24-hour time frame. The Temperature Aquastat automatically switches the circulator ON at 95F and OFF at 115F. The two can be used in combination, or they can be used separately. When the Clock Timer/Temperature Aquastat are used together, the Timer switches ON sending power to the unit. The Temperature Aquastat measures the temperature, and cycles the circulator as long as the Timer is switched to the ON mode.

If used separately, the Analog 24 Hour Clock timer operates the circulator during the cho-

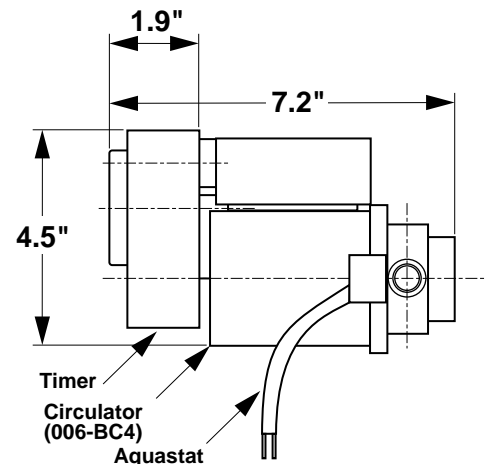
sen number of 15-minute intervals. When using only the Temperature Aquastat, the circulator cycles continuously to maintain a temperature between 95F and 115F.

The Clock Timer and Temperature Aquastat are retro-fittable to any "00" Series Circulator. This user-friendly clock has an hour hand, raised minute hand for ease of adjustment, two directional arrows, and AM/PM time settings. The Clock Timer can be mounted in any direction, by just attaching it to the capacitor box electrical connection hole. One Aquastat fits both 3/4" and 1/2" pipe applications. The Aquastat snaps directly onto 3/4" pipe and, for 1/2" applications, it snaps directly onto the discharge of the 1/2" bronze body.

DIMENSIONS



	Shipping Weight	
	Oz.	Kg.
Timer	12 oz.	.35
Aquastat	4 oz.	.11



ASSEMBLED TIMER / AQUASTAT (006-BC4)

TIMER:

24 Hour Analog Clock Timer

Electrical Characteristics: 115/60/1
Timer Switch: 16A @ 115V
Timer Interval: 15 Minutes
Clock Face: Hour & Minute Hands
Manual Switch: I Permanently ON
L Automatic
O Permanently Off

TEMPERATURE AQUASTAT:

Snap Action Temperature Switch
Electrical Characteristics: 115/60/1
Connections: 1/2" (Snap On Circ. Body)
3/4" Copper Pipe
Temperature Setting: ON @ 95F
OFF @ 115F
Contacts: 7 amp SPDT Switch
Wire Leads: 12"—Type 18-2
Round Premium Cable