



COMPARE. YOU'LL TAKE TACO.

## ELECTRIC ZONE VALVES

### ZONING WITH ELECTRIC ZONE VALVES

Ever since reliable electric zone valves were developed many years ago, they have been by far the most widely used device for zoning a system. They eliminate the need for a Flo-Chek valve and relays, and simplify the piping. Their compactness permits great flexibility of location in the system. This and the silent operation of the Taco valves having heat motor type operators permits installation in or near rooms where noiseless operation is desired, such as bedrooms. In most zoned systems, especially when there are more than two zones, valves have a definite cost advantage over using a circulator in each zone. A single circulator in the system can supply from two to many zone valves.

A Taco Electric Thermostat is used to sense the temperature in each zone and control operation of the zone valve for the zone. The valve may be located within the zoned space or at any convenient location in the pipe loop for the zone. In a series loop system, usually the valves are placed at the discharge side of the boiler. In a two-pipe system, the valves are placed at the radiation unit supply or return.



**570 Series Two-Way**

---

#### **TACO, INC.**

1160 Cranston Street, Cranston, RI 02920  
Telephone (401) 942-8000 Telex: 92-7627

#### **TACO (Canada) LTD.**

1310 Aimco Blvd., Mississauga, Ontario L4W 1B2  
Telephone (416) 625-2160 Telex: 06-961179



## PURPOSE

Save energy — cut fuel costs! Taco Zone valves, each with its own thermostat, permit accurate temperature control of individual rooms or groups of rooms in residences or commercial buildings which are heated or cooled hydronically. Put heat where you want it, when you want it.

## FEATURES

Proven Performance — Over one million in use. Taco Zone Valves are the industry's top choice for consistent performance.

Dependable-Quiet Operation — Taco Zone Valves offer rugged dependability and absolutely silent operation.

Normally closed valve with manual override (power failure).

## BUILT TO LAST

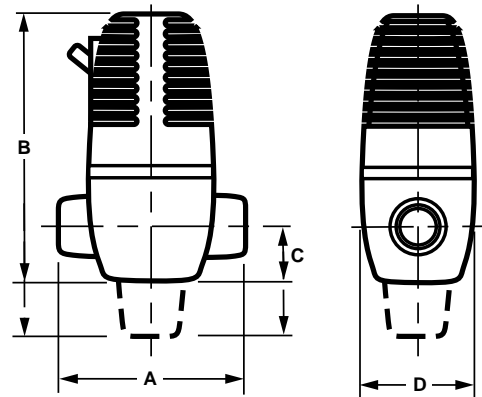
Leak Proof. Beryllium copper metal bellows separate system water from the atmosphere for positive and leak proof operation.

Patented Construction. Exclusive heat motor functions silently. Energy saver — heat motor is not constantly energized while the valve is open.

Maintenance Free. Heavy bronze body with sweat connections. Globe valve construction with E.P. seat ensures tight shut-off for trouble free service.

Easy-To-Install. Only 3 low voltage connections. Power head does not have to be removed to install.

Factory Tested. Every Taco Zone Valve is operated before shipment.



Prod. No.	Size Conn's. Ins.	Normal Flow Range GPM	Press. Drop Thru-Valve Ft. of Pipe equiv.	Pump Head Ft. of Water	Max. Work Press PSI	Oper. Temp. Range F.	Amp. Rating	Volts Frequency	Dimensions				Appr. Ship Wgt. Lbs.
									A	B	C	D	
570	1/2	0-4 1/2	10	65	125	40-240	09	24V-60Hz	3 1/8	4 13/16	1 5/16	2	2 1/4
571	3/4	4 1/2-6	20						3 3/8	4 13/16	1 5/16	2	2 1/4
572	1	6-10	60	65	125	40-240	09	24V-60Hz	3 5/8	4 13/16	1 5/16	2	2 1/4
573	1 1/4	10-16	130						3 7/8	4 13/16	1 5/16	2	2 1/4



## BUILT TO LAST

**Leak Proof.** Beryllium copper metal bellows separate system water from the atmosphere for positive and leak proof operation.

**Patented Construction.** Exclusive heat motor functions silently. Energy saver — heat motor is not constantly energized while the valve is open.

**Maintenance Free.** Heavy bronze body with sweat connections. Globe valve construction with E.P. seat ensures tight shut-off for trouble free service.

**Easy-To-Install.** Only 3 low voltage connections. Power head does not have to be removed to install.

**Factory Tested.** Every Taco Zone Valve is operated before shipment.

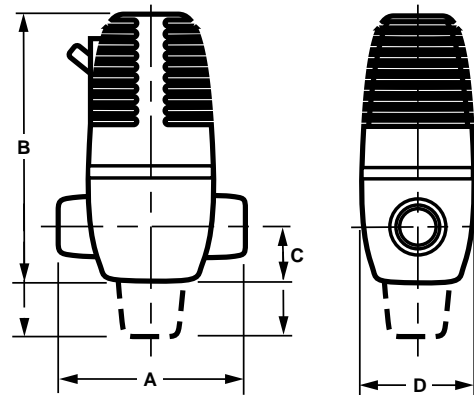
## PURPOSE

Designed for high head capacity applications. Save energy — cut fuel costs! Taco Zone Valves, each with its own thermostat, permit accurate temperature control of individual rooms or groups of rooms. Used primarily in high-rise residential and commercial buildings due to high pump head requirements.

## FEATURES

**Dependable-Quiet Operation** — Taco Zone Valves offer rugged dependability and absolutely silent operation.

**Heavy Duty Construction.**



Prod. No.	Size Conn's. Ins.	Normal Flow Range GPM	Press. Drop Thru-Valve Ft. of Pipe equiv.	Pump Head Ft. of Water	Max. Work Press PSI	Oper. Temp. Range F.	Amp. Rating	Volts Frequency	Dimensions				Appr. Ship Wgt. Lbs.
									A	B	C	D	
555	1/2	1-4 1/2	10	150	125	40-240	0.9	24V-60Hz	3 1/16	5 3/8	1 1/16	2	2 1/8
556	1/4	4 1/2-6	20						3 3/8	5 3/8	1 1/16	2	2 1/4
557	1	6-10	60						3 3/8	5 3/8	1 1/16	2	2 1/4



## PURPOSE

Save energy — cut fuel costs! Taco Zone Valves, each with its own thermostat, permit accurate temperature control of individual rooms or groups of rooms in residences or commercial buildings

which are heated or cooled hydronically. Put heat where you want it, when you want it, via a unique bypass construction. Designed for fan coil and other heating and cooling units.

## FEATURES

**Proven Performance** — Over one million in use. Taco Zone Valves are the industry's top choice for consistent performance.

**Dependable-Quiet Operation** — Taco Zone Valves offer rugged dependability and absolutely silent operation.

## BUILT TO LAST

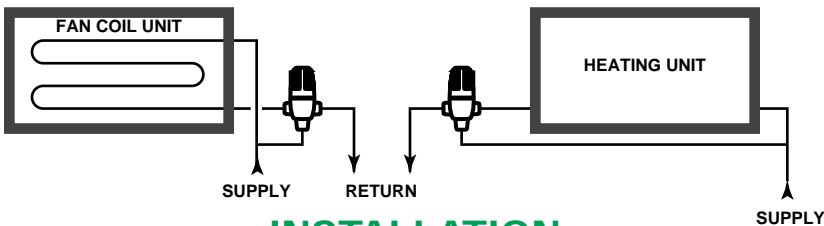
**Leak Proof.** Beryllium copper metal bellows separate system water from the atmosphere for positive and leak proof operation.

**Patented Construction.** Exclusive heat motor functions silently. Energy saver — heat motor is not constantly energized while the valve is open.

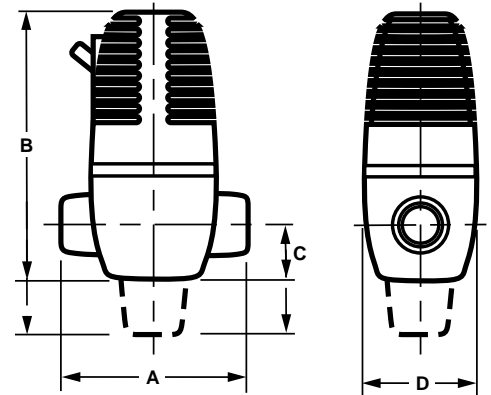
**Maintenance Free.** Heavy bronze body with sweat connections. Globe valve construction with E.P. seat ensures tight shut-off for trouble free service.

**Easy-To-Install.** Only 3 low voltage connections. Power head does not have to be removed to install.

**Factory Tested.** Every Taco Zone Valve is operated before shipment.



## INSTALLATION



Prod. No.	Size Conn. Ins.	Normal Flow Range GPM	Press. Drop Thru-Valve Ft. of Pipe equiv.	Pump Head Ft. of Water	Max. Work Press PSI	Oper. Temp. Range F.	Amp. Rating	Volts Frequency	Dimensions				Appr. Ship Wgt. Lbs.
									A	B	C	D	
560	1/2	1-4 1/2	10	65	125	40-240	0.9	24V-60Hz	3 1/16	5 11/16	1 13/16	2	2 1/4
561	3/4	4 1/2-6	20						3 3/8	5 7/8	2	2	2 1/4
562	1	6-10	60						3 5/8	6	2 1/8	2	2 1/4

# GEOTHERMAL VALVES



**Bronze body and corrosion resistant internal parts provide for long, trouble-free service.**



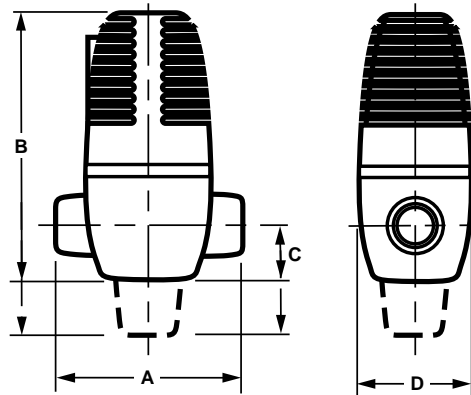
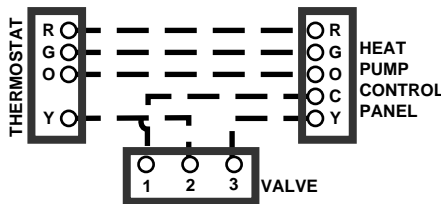
end-switch design permits control of the heat pump by the valve. This allows movement of cold water into the coil before the heat pump actually starts. Taco GT Whisper Guard is available with: 3/4" thread (5101-G2), 1" sweat (557-G2), or 3/4" sweat (556-G2).

Offers long-term economy both in power consumption and maintenance. Taco Whisper Guard operates on a low 24V AC electrical current for minimum annual cost. It's fast and easy to service, too. There's no need to drain the system — just remove the power head. All it requires for removal is a slight twist. The gland assembly is replaceable.

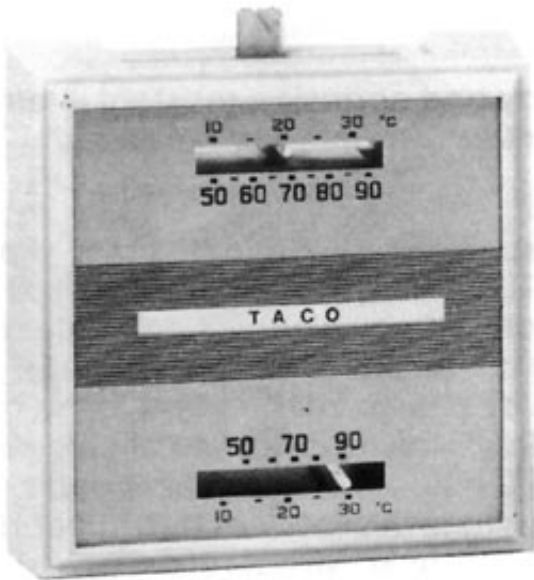
Simple to install — with a choice of threaded or sweat connections. Installation is made easy because power head does not have to be removed. Only 3 low voltage wiring connections have to be made.

Created especially to eliminate noisy water hammer. The Taco GT Whisper Guard operates in a totally different way from fast-acting solenoids. How? Because it closes slowly and no water hammer occurs. The unique

## TYPICAL WIRING DIAGRAM



Prod. No.	Size Conn's. Ins.	Normal Flow Range GPM	Press. Drop Thru-Valve Ft. of Pipe equiv.	Pump Head Ft. of Water	Max. Work Press PSI	Oper. Temp. Range F.	Amp. Rating	Volts Frequency	Dimensions				Appr. Ship Wgt. Lbs.
									A	B	C	D	
5101G	3/4" T	1-4 1/2	10	150	125	40-240	0.9	24V-60Hz	3 1/16	5 3/8	1 1/16	2	2 1/8
556G	3/4" SWT	4 1/2-6	20						3 3/8	5 3/8	1 1/16	2	2 1/8
557G	1" SWT	6-10	60						3 5/8	5 5/8	1 1/16	2	2 1/8



## 568-16 TACO THERMOSTAT

### SPECIFICATIONS

Voltage:	24 Volt, Two Wire Circuit (40 VAC, 1.3 Amperes Max.)
Heat Anticipator:	Adjustable (Factory Set At Normal)
Temperature Range:	50°F to 90°F, 10°C to 30°C
Temperature Differential:	1.8°F, 1°C
Contacts:	Close Circuit on Temperature Decrease at Control Setting
Size:	3" x 3¼" x 1½"

## 567-1 DECORATIVE WALL PLATE & MOUNTING SCREWS

4¾" x 4¾" wall plate for covering defaced area on wall that is larger than area covered by 568-16 Thermostat.

## 569 TACO TRANSFORMER

### PURPOSE

For reducing line voltage to low voltage when used in conjunction with Taco Zone Valves.  
No. 569 — 40VA, 120V, 50/60 hertz primary; 25V secondary; terminal screws for secondary connections, 4" x 4" (102mm x 102mm) plate mounted Nema Class 2, suitable for 3 Taco Zone Valves.

