

# GEOTHERMAL VALVES



**Bronze body and corrosion resistant internal parts provide for long, trouble-free service.**



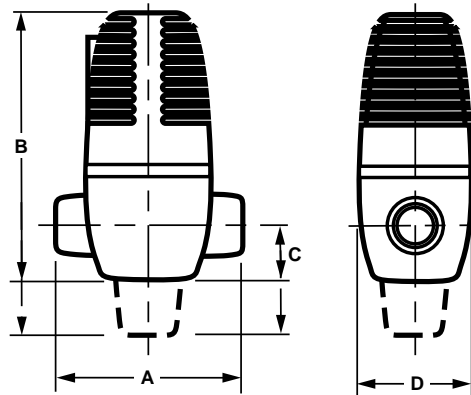
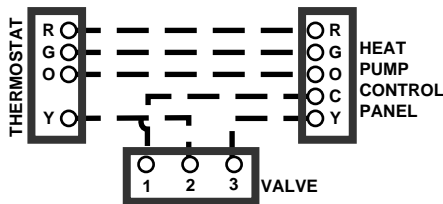
end-switch design permits control of the heat pump by the valve. This allows movement of cold water into the coil before the heat pump actually starts. Taco GT Whisper Guard is available with: 3/4" thread (5101-G2), 1" sweat (557-G2), or 3/4" sweat (556-G2).

Offers long-term economy both in power consumption and maintenance. Taco Whisper Guard operates on a low 24V AC electrical current for minimum annual cost. It's fast and easy to service, too. There's no need to drain the system — just remove the power head. All it requires for removal is a slight twist. The gland assembly is replaceable.

Simple to install — with a choice of threaded or sweat connections. Installation is made easy because power head does not have to be removed. Only 3 low voltage wiring connections have to be made.

Created especially to eliminate noisy water hammer. The Taco GT Whisper Guard operates in a totally different way from fast-acting solenoids. How? Because it closes slowly and no water hammer occurs. The unique

## TYPICAL WIRING DIAGRAM



Prod. No.	Size Conn's. Ins.	Normal Flow Range GPM	Press. Drop Thru-Valve Ft. of Pipe equiv.	Pump Head Ft. of Water	Max. Work Press PSI	Oper. Temp. Range F.	Amp. Rating	Volts Frequency	Dimensions				Appr. Ship Wgt. Lbs.
									A	B	C	D	
5101G	3/4"T	1-4 1/2	10	150	125	40-240	0.9	24V-60Hz	3 1/16	5 3/8	1 1/16	2	2 1/8
556G	3/4"SWT	4 1/2-6	20						3 3/8	5 3/8	1 1/16	2	2 1/8
557G	1"SWT	6-10	60						3 5/8	5 5/8	1 1/16	2	2 1/8