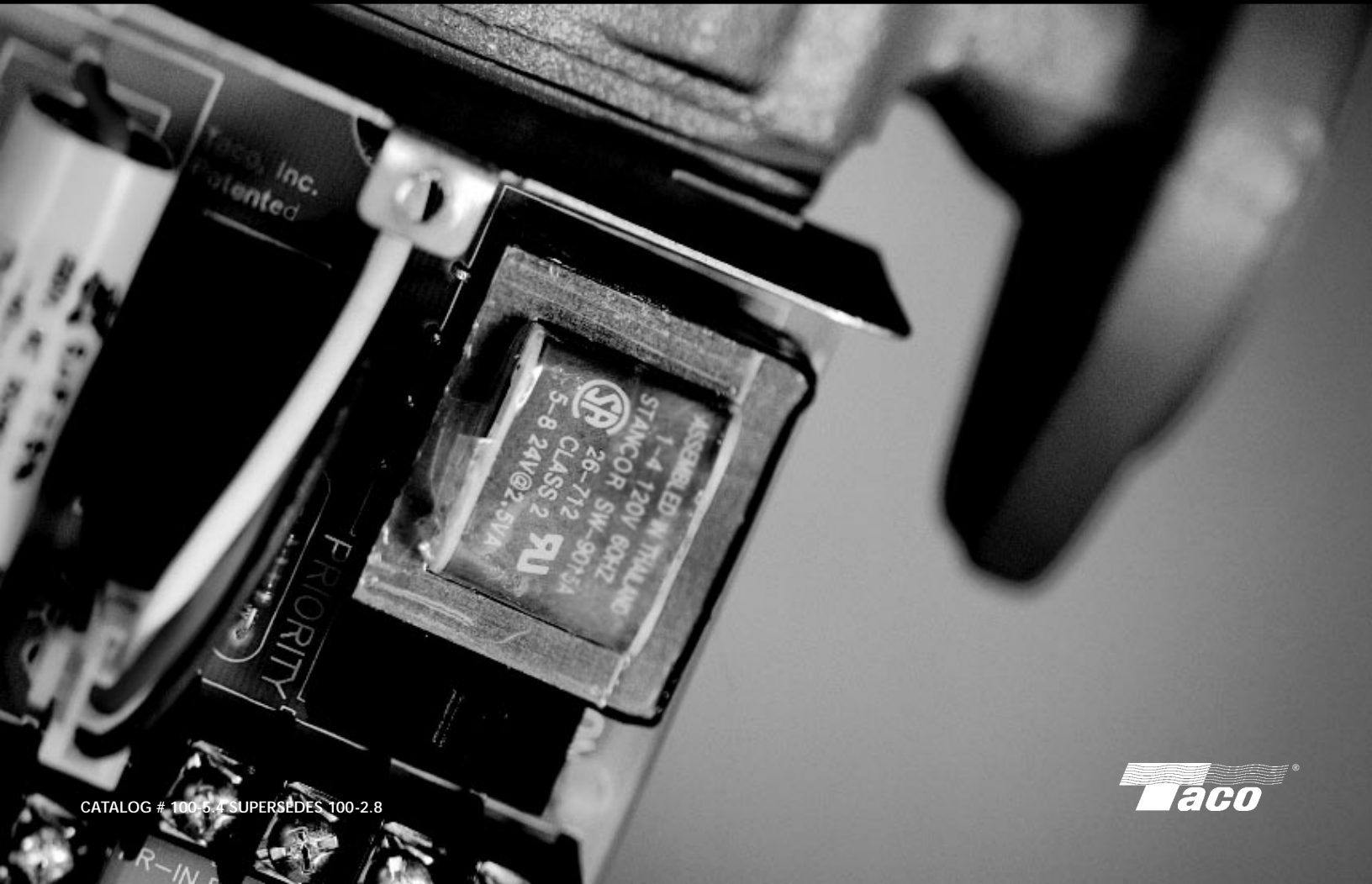


PRIORITY ZONING CIRCULATOR



The Taco Priority Zoning Circulator combines the reliability of the "00" circulator with the convenience and efficiency of a switching relay. With a built-in transformer, relay and priority switch, all the wiring is done directly to the circulator's PC board, making it ideal for adding a zone or an indirect hot water heater.

MOST COMPLETE LINE OF ZONE CONTROL PRODUCTS



FEATURES

- “00” Reliability
- Snap-In PC Board
- Low and High Voltage Terminal Strips
- UL and CSA Listed
- Simplified Wiring
- LED Power Light
- 100% Factory Tested
- Works with Other Circulators or Zone Valves
- Universal Thermostat Compatibility
- Available 003-0014
- Made in the USA

SPECIFICATIONS

UL and CSA Listed

CONTACT RATINGS:

Terminals 1 & 2	24VAC	1 Phase
Terminals 3 & 4	24VAC	1 Phase 5 amps
	115VAC	1 Phase 5 amps
	240VAC	1 Phase 5 amps (max)
PR-IN & PR-OUT	115VAC	1 Phase 8 amps inrush current (max)
LIVE & NEUTRAL	115VAC	1 Phase (max)

THERMOSTAT RATINGS:

- 24VAC SPDT 2-wire heating
- 24VAC Digital Electronic
- 2-wire max draw 30 milliamps

MODELS AVAILABLE

MODEL	APPLICATION
003**	Recirculation Zones
005*	Residential Zones
006**	Air Handlers
007*	Larger Residential Zones
008*	Radiant Heating Zones
009*	High Head Loss-Radiant
0010*	Light Commercial Zones
0011*	High Flow-Radiant
0012*	High Velocity
0013*	High Head-Geothermal
0014*	High Velocity

*Bronze and Cast Iron
 **Bronze Only

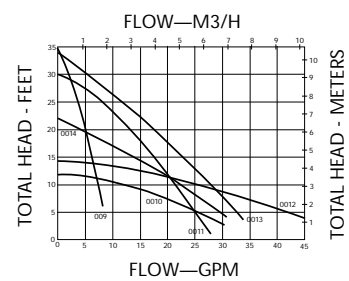
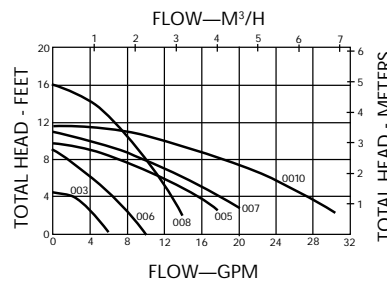
Cast Iron = model # -ZF (i.e. 007-ZF5)
 Bronze = model # -ZBF (i.e. 007-ZBF5)

PRIORITY ZONING CIRCULATOR

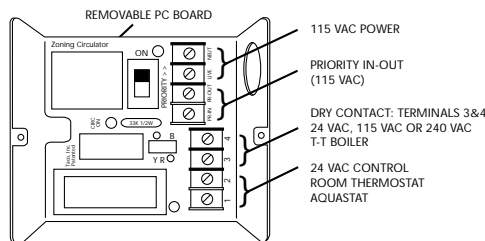
The Taco zoning circulator combines the reliability of the “00” circulator with the convenience and efficiency of a PC board mounted switching relay package. Each zoning circulator has low and high voltage terminal strips for ease of electrical hookup as well as a built-in priority switch. The priority switch allows the installer to choose the zone that requires the most attention, and when activated, only that circulator will run. The priority zoning circulator can be used in conjunction with other circulators or zone valves. It is ideal for indirect hot water heaters, adding another zone, zoning with circulators and for prioritizing under-sized zones. Available in a full range of sizes from 003-0014.

Also look for Taco’s complete line of Switching Relays, Zone Valve Controls and Hydro Air Controls, for all your single or multi-zone needs.

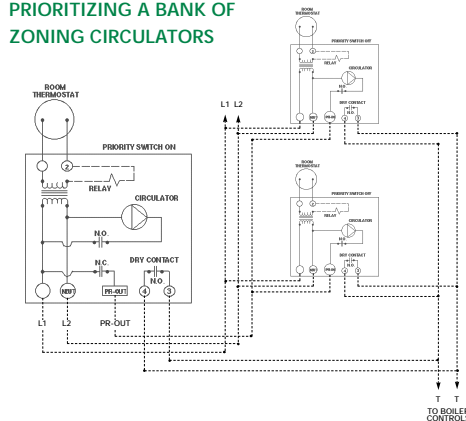
PERFORMANCE FIELDS



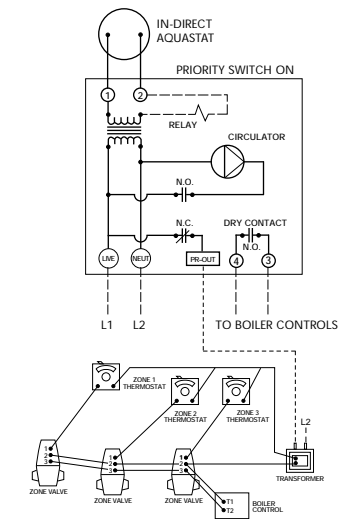
PC BOARD LAYOUT AND ELECTRICAL HOOKUP



PRIORITIZING A BANK OF ZONING CIRCULATORS



WIRING TO AN EXISTING ZONE VALVE SYSTEM



FOR MORE INFORMATION:

TACO, Inc., 1160 Cranston Street, Cranston, RI 02920
 TEL: (401) 942-8000 FAX: (401) 942-2360
 TACO (CANADA) LTD., 6180 Ordan Drive, Mississauga, Ontario L5T 2B3
 TEL: (905) 564-9422 FAX: (905) 564-9436
 WEB SITE: <http://www.taco-hvac.com>

