



COMPARE. YOU'LL TAKE TACO.

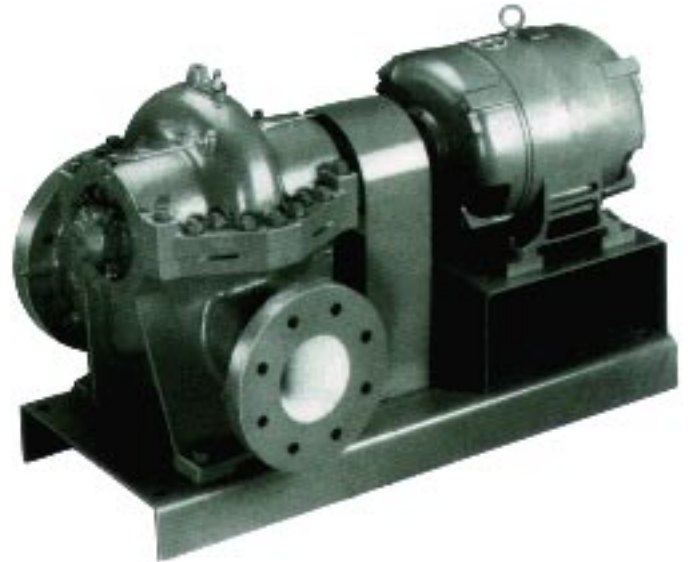
# "TA" Single Stage Double Suction Horizontal Split Case Pump

## Six Major Benefits for "TA" Series Pump Users

- Maximum operating pressure of 300 PSI. The rugged, heavy-duty casing design allows higher working pressures.
- Quick access for service and maintenance. The top half of the casing is easily removed to allow service of rotating unit without disturbing piping system.
- Low NPSH requirements and increased efficiency. The impeller is specifically designed to assure minimum NPSH and maximum pump efficiency as well as stable performance throughout the operating range.
- Compact arrangement increases seal and bearing life. The mechanical seal option reduces the shaft length and minimizes shaft deflection, thereby increasing both seal and bearing life.
- Balanced axial loads for maximum bearing life. The double suction design virtually eliminates axial thrust and reduces bearing loading. The bearings are heavy-duty type, grease lubricated.
- No need to replace casing if wear rings require service. The case wear rings are separate from the case itself and are replaceable.

## Heavy Duty Casing For Greater Strength

Extra heavy construction of the pump casing provides greater structural integrity and reduces the risk of distortion. The pump feet are cast integrally with the bottom half of the volute casing and extended to provide support to the inserts which carry the pump bearings.



## Maintenance is Easy and Fast

With the top half of the casing removed, the complete pump rotating assembly can be withdrawn without disturbing the piping system. Pump inlet and outlet flanges are cast in the bottom half casing. Flanges and casing are tapped and plugged for gauge and priming connections. An air release valve and flushing connections are provided in the upper casing. The top and bottom half casings are aligned by dowels, sealed by a gasket and bolted together.

## High Efficiency Impeller

The impeller is generally of the double-entry type with Francis vanes, keyed to the shaft and locked in position. The impeller hubs are designed to accommodate impeller wear rings, if required. Impellers are balanced dynamically and hydraulically. Passage ways are smoothed for maximum efficiency.

### TACO, INC.

1160 Cranston Street, Cranston, RI 02920  
Telephone (401-942-8000 Telex: 92-7627

### TACO (Canada) LTD.

1310 Aimco Blvd., Mississauga, Ontario L4W 1B3  
Telephone (416) 625-2160 Telex: 06-961179



## COMPARE. YOU'LL TAKE TACO.

With the introduction of the "TA" Series Horizontal Split Case Pump designs, Taco continues to expand its leadership in the design of centrifugal pumps for commercial HVAC and industrial applications. Taco can truly be the single source for all your pumping needs.

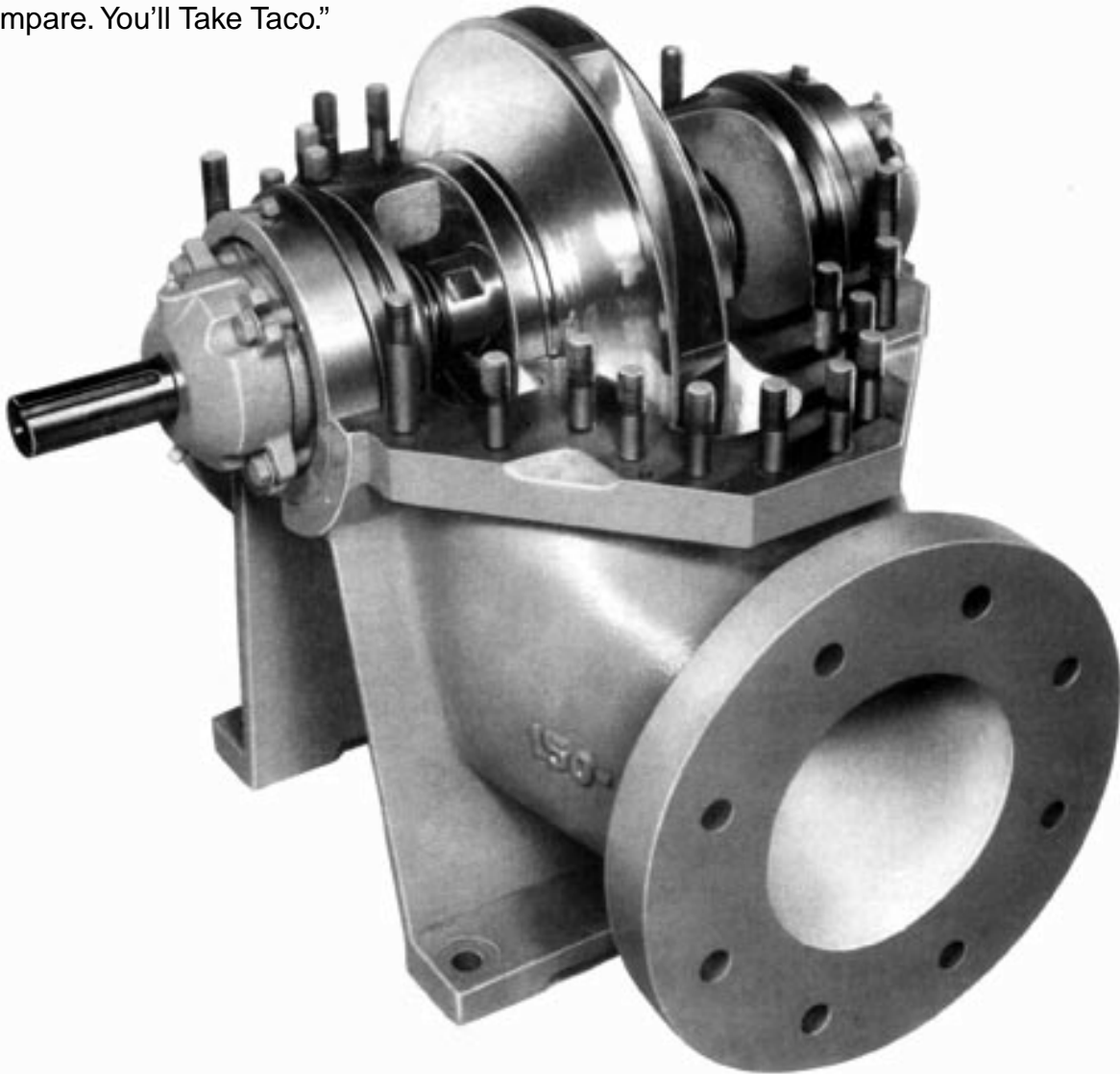
Over 300 models, ranging from 1/40 HP to 400 HP now offer the maximum flexibility to select the optimum pump design for the specific system requirements.

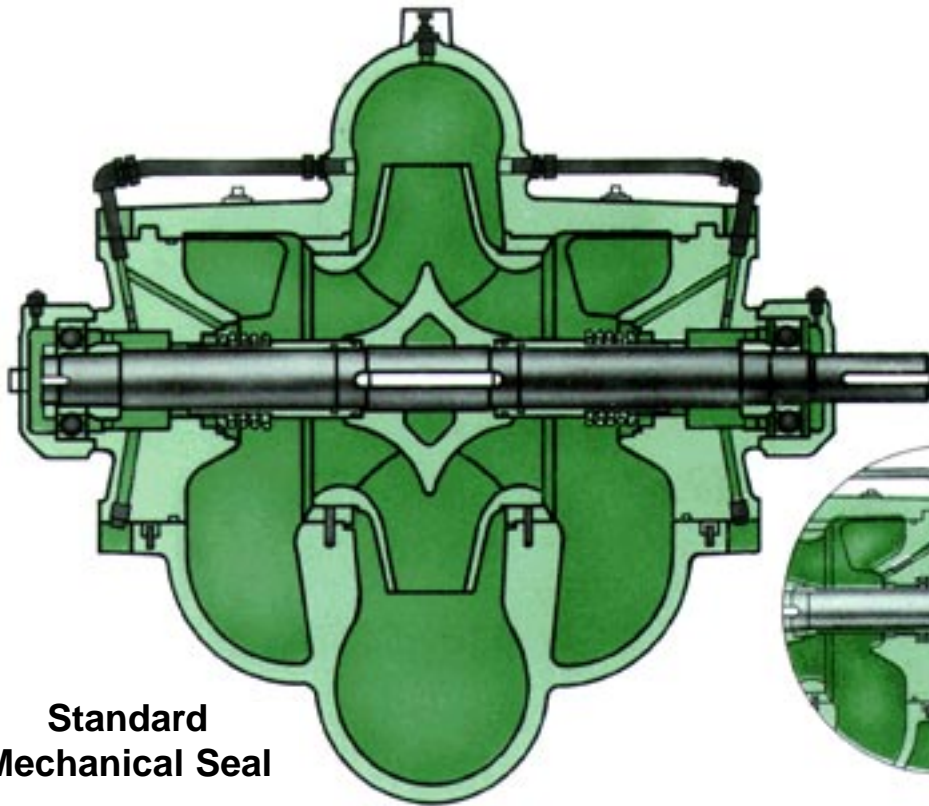
The full range of Taco products is more than pumps. Taco is also your single source company for a wide variety of HVAC and other hydronic specialty components including; constant pressure booster systems, heat transfer equipment, diaphragm tanks, flow measurement products and more. That's why we're confident that when you "Compare. You'll Take Taco."

The "TA" Series Split Case Pump model represents a major advance in pump design. By utilizing a new modular construction technique, pump performance from 60 GPM up to 6,000 GPM is available from just three basic bearing and shaft modules.

### Modular construction results in:

- Multiple seal and construction options for application flexibility.
- Simplified maintenance.
- Design flexibility to accommodate future performance needs.





**Standard Mechanical Seal**

**Optional Balanced Seal**

**Optional Packing**

**MATERIALS OF CONSTRUCTION**

	<b>Standard</b>	<b>Optional</b>
Casing	Cast Iron	
Impeller	Bronze	Cast Iron
Wear Ring	Bronze	Cast Iron
Shaft	Carbon Steel	Stainless Steel
Insert	Cast Iron	
Shaft Sleeve	Bronze	Stainless Steel

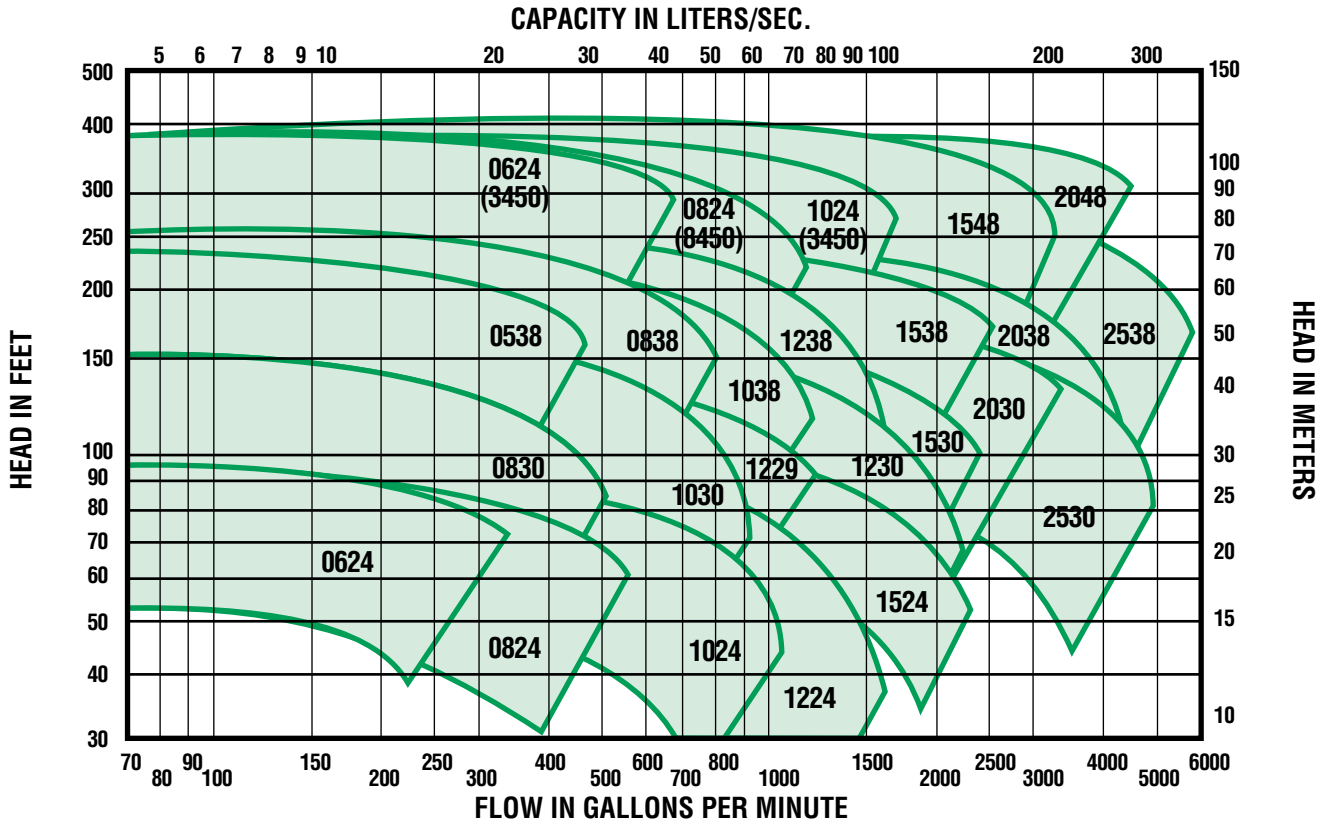
**OPERATING SPECIFICATIONS**

	<b>Standard</b>	<b>Optional</b>
Pressure	300 PSI Maximum Operating Pressure (125 ANSI or 250 ANSI Flanges Standard)	
Temperature		
Mechanical Seal	250°F	300°F
Packing	250°F	300°F
Wear Rings	Case Wear Rings	Impeller Wear Rings
Seal Flushing	Recirculation Line	Filter & Abrasive Separators
Motors	All Standard NEMA Motors (T or TS)	

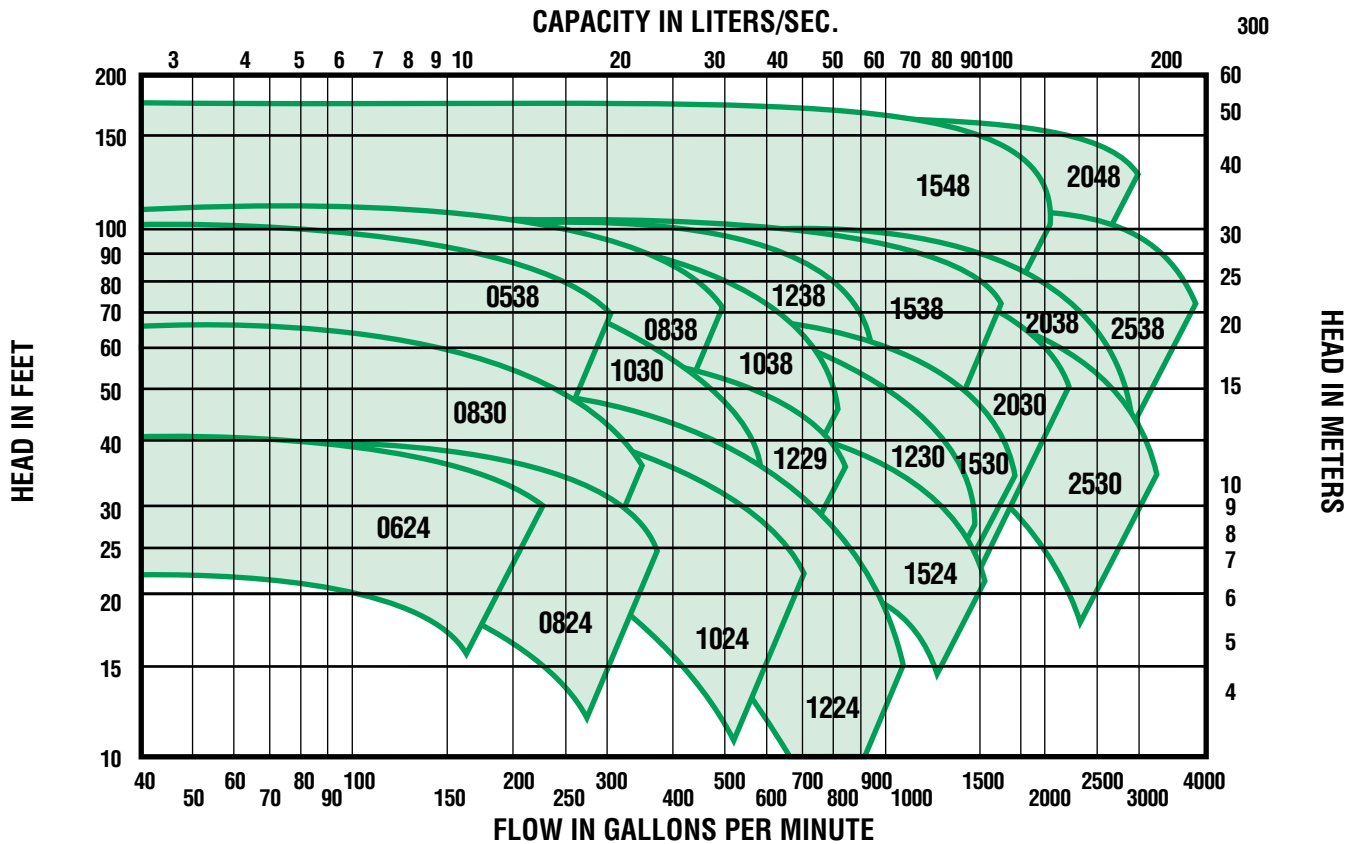
**ADDITIONAL OPTIONS**

- Drip Type Base
- Two Rotation Options
- Packed Stuffing Box
- Balanced Mechanical Seals

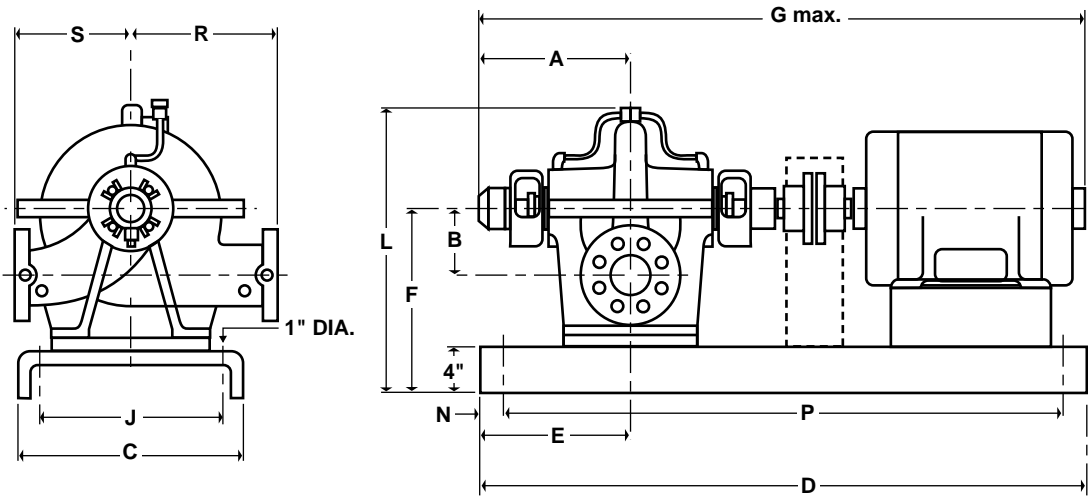
# "TA" SERIES PERFORMANCE FIELD 1750 RPM (Unless Otherwise Specified)



# PERFORMANCE FIELD 1150 RPM



# "TA" SERIES PUMP DIMENSIONS



MODEL NO.	CONN.	T or TS MOTOR FRAME	A	B	C	D	E	F	G MAX.	J	R DISCH.	S SUCT.	L	N	P			
TA0538	3X2	213-215	9-11/16	6-11/16	18	41	10-9/16	16-5/16	39-11/16	14-1/2	11	13	25-13/16	1-1/4	38-1/2			
		254-256				48		16-5/8	47-1/4				26-1/8		45			
		284-286																
TA0624	3X2 1/2	143-145	9-11/16	5-1/8	18	41	11-5/8	15-1/8	34	14-1/2	8-7/8	10-1/16	22-7/16	1-1/4	38-1/2			
		182-184				46	11-11/16		39-1/2				41-1/2					
		213-215						15							22-5/16			
		284-286				22	55	13-7/8	48-9/16				18-1/2		1	53		
		324-326																
TA0824	4X3	143-145	9-11/16	5-1/8	18	41	11-5/8	15-1/8	34	14-1/2	9-1/16	10-5/8	22-1/4	1-1/4	38-1/2			
		182-184				46	11-11/16		44-5/8				22-1/8		41-1/2			
		213-215						15										
		284-286				22	55	13-7/8	49-13/16				18-1/2		1	53		
		324-326																
364-365																		
TA0830	4X3	143-145	9-11/16	5-7/8	18	41	11-5/8	15-1/8	34	14-1/2	10-13/16	11-7/16	23-1/4	1-1/4	38-1/2			
		182-184				46	11-11/16	15	44-5/8				23-1/8		41-1/2			
		213-215																
254-256																		
TA0838	4X3	213-215	9-11/16	6-7/8	18	41	10-9/16	16-5/8	39-11/16	14-1/2	13-3/4	13-3/8	26-11/16	1-1/4	38-1/2			
		254-256				48			48-5/16				26-13/16		45			
		284-286							16-3/4									
		324-326																
TA1024	6X4	182-184	11-13/16	6-11/16	18	46	11-5/8		41-7/8	14-1/2	9-13/16	12-3/16	26-13/16	1-1/4	41-1/2			
		213-215				22	55	10-7/16	17-3/8						501/4	55-1/2	18-1/2	53
		254-256																
		364-365				24	59	9-4/4	59						20-1/2	1	57	
		404-405																
T01030	5X4	182-184	9-11/16	6-11/16	18	46	11-11/16	16-5/8	47-1/4	14-1/2	10-13/16	12-5/8	25-11/16	1-1/4	41-1/2			
		213-215																
		254-256																
		284-286																
TA1038	5X4	213-215	11-13/16	7-1/2	22	55	10-7/16	17-9/16	45-5/16	18-1/2	13-3/4	13-3/8	28-1/2	1	53			
		254-256						18-9/16	50-3/16				29-1/2					
		284-286																
		324-326						17-3/8	56-5/8				28-5/16					
		364-365																

MODEL NO.	CONN.	T or TS MOTOR FRAME	A	B	C	D	E	F	G MAX.	J	R DISCH.	S SUCT.	L	N	P					
TA1224	6X5	213-215	10-15/16	7-7/8	18	48	10-9/16	17-3/8	41-15/16	14-1/2	9-13/16	12-13/16	26-5/16	1-1/4	45					
		254-256 284-286					9-3/8		50-3/16											
TA1229	6X5	213-215 254-256 284-286	9-11/16	6-5/16	18	48	10-9/16	17-3/8	49-13/16	14-1/2	11-7/16	12-3/16	26-1/4	1-1/4	45					
		324-326						17-1/2					26-3/8							
TA1230	6X5	213-215 254-256 284-286	10-15/16	6-7/8	18	48	9-3/8	17-3/8	52-5/16	14-1/2	11-7/16	13-3/16	27	1-1/4	45					
		324-326						17-1/2					27-1/8							
		364-365			20	55	12-3/16	17-3/8	54-15/16	18-1/2	27	1	53							
TA1238	6X5	215 254-256 284-286	11-13/16	8-1/4	22	55	10-7/16	19-3/8	53-1/6	18-1/2	13-3/4	15-3/4	31-5/8	1	53					
		324-326 364-365							57-5/8											
TA1524	8X6	213-215	10-15/16	7-7/8	18	48	10-9/16	19-3/8	41-15/16	14-1/2	12-3/16	14-3/8	28-5/8	1-1/4	45					
		254-256 284-286					9-3/8		52-13/16				28-3/4							
		324-326					19-1/2													
TA1530	8X6	254-256 284-286 324-326 364-365	11-13/16	9-1/4	22	55	10-7/16	21-5/16	57-5/8	18-1/2	12-3/8	14-3/8	32-3/4	1	53					
TA1538	8X6	254-256 284-286 324-326 364-365	11-13/16	8-1/4	22	55	10-7/16	21-5/16	57-5/8	18-1/2	13-3/4	16-1/8	33-7/16	1	53					
		404-405 444-445														24	66	14-3/8	67-7/8	20
		22-1/8																		
TA1548	8X6	404-405 444-445	14-5/8	10-5/8	26	69	12-15/16	25-1/4	74-15/16	22	17-11/16	20-1/16	40-3/8	1-1/4	64-3/4					
TA2030	10X8	284-286 324-326 364-365	13-5/8	11-1/4	24	59	13-5/8	25-1/4	61-1/8	20	15-3/16	17-1/16	37-9/16	1-1/4	54-3/4					
		404-405													26	69	15-5/8	65-1/2	22	64-3/4
TA2038	10X8	286	14-5/8	8-7/8	24	66	10-11/16	22-1/8	59-5/16	20	17-11/16	18-7/8	35-1/2	1-1/4	62-1/2					
		324-326						22-1/4	61-7/8				35-5/8							
		364-365 404-405						23-1/4	64				36-5/8							
		444-445						22-1/8	74-1/4				35-1/2							
TA2048	10X8	364-356 404-405 444-445 447-449	14-5/8	10-5/8	26	69	13-11/16	25-1/4	74-1/4	22	17-11/16	19-11/16	40-1/16	1-1/4	64-3/4					
		77-1/2				82-11/16			73-1/4											
TA2524	10X10	324-326 364-365	13-5/8	8-1/4	24	59	13-5/8	21-5/16	61-1/8	20	13-3/8	19-5/16	33-3/8	1-1/4	54-3/4					
TA2530	10X10	364-365	13-5/8	9-13/16	24	59	13-5/8	25-1/4	61-1/8	20	15-3/4	16-15/16	37-7/8	1-1/4	54-3/4					
		404-405													26	69	15-5/8	71-1/4	22	64-3/4
		444-445																		
TA2538	12X10	364-365 404-405	14-5/8	10-7/16	26	69	13-11/16	25-1/4	74-1/4	22	17-11/16	21-1/4	41-1/8	1-1/4	64-3/4					
		444-445							77-1/2						77-11/16	73-1/4				
		447-449																		